

P E R M I T

CITY OF NAPOLEON  
255 W. RIVERVIEW AVE  
NAPOLEON, OHIO 43545

DIVISION OF BUILDING & ZONING  
PH (419) 592-4010  
FAX (419) 599-8393

PERMIT NO: 430

DATE ISSUED: 11-30-00

ISSUED BY: BND

JOB LOCATION: 1213 OHIO ST

EST. COST: 1000.00

LOT #:

SUBDIVISION NAME:

OWNER: BISCHOFF, C.J.  
ADDRESS: 1213 OHIO ST  
CSZ: NAPOLEON, OH 43545  
PHONE: 419-592-1376

AGENT: TRESSLER PLUMBING  
ADDRESS: 13419 ORIS AVE  
CSZ: DEFIANCE, OH 43512  
PHONE: 419-395-1882

USE TYPE - RESIDENTIAL:

OTHER:

ZONING INFORMATION

DIST: LOT DIM: AREA: PYRD: SYRD: RYRD:  
MAX WT: # PKG SPACES: # LOADING SP: MAX LOT COV:

BOARD OF ZONING APPEALS:

WORK TYPE - NEW: REPLMNT: ADD'N: ALTER: REMODEL:

WORK INFORMATION

SIZE - LENGTH: WIDTH: STORIES: LIVING AREA SF:  
GARAGE AREA SF: HEIGHT: BLDG VOL DEMO PERMIT:

WORK DESCRIPTION

SEWER LINE REPLACEMENT  
HOUSE TO MAIN

FEE DESCRIPTION

PAID DATE

FEE AMOUNT DUE

SEWER INSPECTION PER

25.00

TOTAL FEES DUE

25.00

DATE

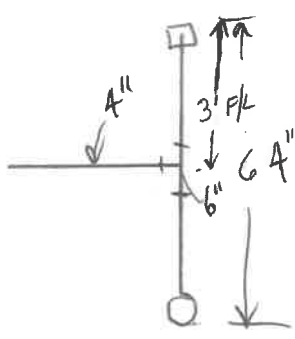
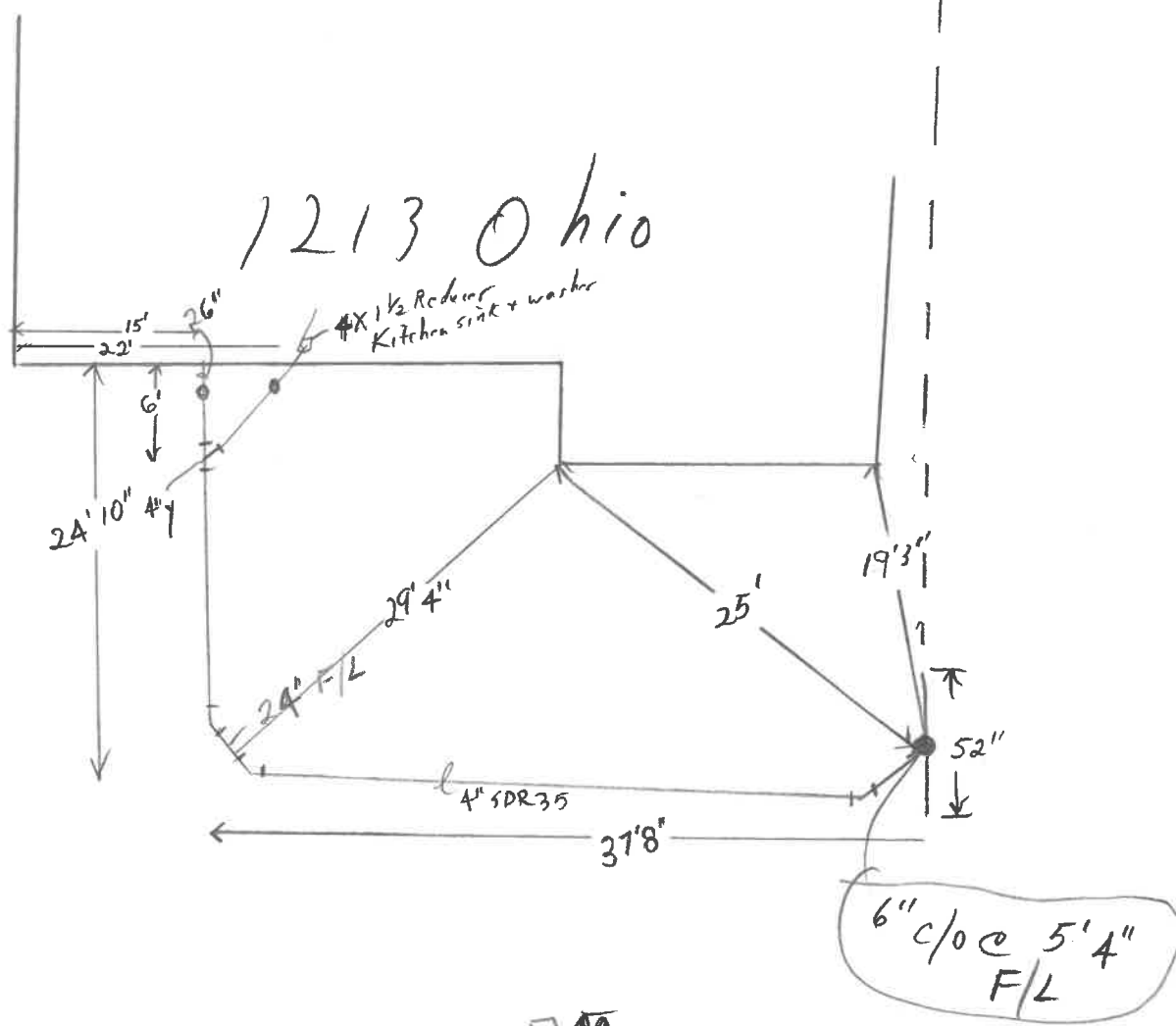
APPLICANT SIGNATURE



↑  
N

PH

1213 Ohio



Dye Testing of ~~to~~ Dec 1, 1987  
The San. Sewer for  
House # 1213 Ohio St. ~~1213~~

This house was found to be connected to the San. Sewer that is along the house on the 10' utility Easement along the property line. It was tested by Sonny H. at the property owners request in Nov of 1987 the flow from water run in the house out through the main sewer seemed to be OK

ROF